



Model Number

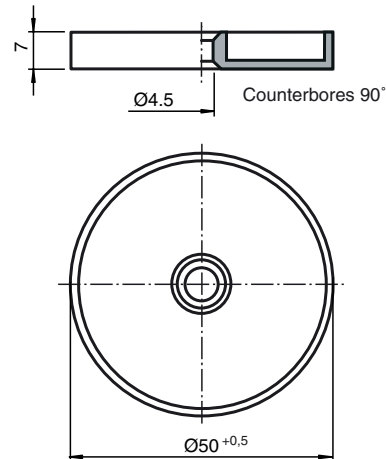
IDC-50-1K

Data carrier

Features

- Battery-free data carrier
- 1 kBit memory
- Protection degree IP67

Dimensions



Technical data

General specifications

Operating frequency	250 kHz
Transfer rate	7.8 kBit/s

Memory

Chip Type	Pepperl+Fuchs
Type/Size	EEPROM 1 kBit
Read cycles	unlimited
Write cycles	> 500000
Data retention period	110 years at 25 °C (77 °F) , 18 years at 50 °C (122 °F)

Ambient conditions

Ambient temperature	-25 ... 70 °C (-13 ... 158 °F)
Storage temperature	-40 ... 85 °C (-40 ... 185 °F)

Mechanical specifications

Protection degree	IP67
Material	
Housing	PBT
Encapsulation compound	CY 221/HY 2966

Compliance with standards and directives

Standard conformity	
Protection degree	EN 60529

Notes

The surface containing the text must face the read/write head.